

EV-T2G3PC-3AC20A-5,0M2,5ESYE11 - AC charging cable



1247578

<https://www.phoenixcontact.com/pl/produkty/1247578>

Please be informed that the data shown in this PDF document is generated from our online catalog. Please find the complete data in the user documentation. Our general terms of use for downloads are valid.



CHARX connect comfort, Mobile AC charging cable, with vehicle charging connector and infrastructure charging plug, for charging electric vehicles (EV) with alternating current (AC) via type 2 vehicle charging inlets, with protective cap, Type 2, IEC 62196-2, 20 A / 480 V (AC), PHOENIX CONTACT logo, cable: 5 m, yellow, straight

Product description

Mobile AC charging cable with vehicle charging connector and infrastructure charging plug for charging electric vehicles (EV) with alternating current (AC) via type 2 vehicle charging inlets, compatible with type 2 infrastructure charging sockets at charging stations for e-mobility (EVSE)

Your advantages

- Complete product range
- Convenient handling due to the ergonomic, triple award-winning design
- Available with your logo on request - for consistent branding of your charging station
- Longitudinal water tightness reliably prevents water ingress
- Developed and produced in accordance with the IATF 16949 automotive standard and ISO 9001
- Tested in accordance with automotive standards LV124, LV214, and LV215-2
- Tested in accordance with EV Ready 37 requirements
- Laser-marked mating face in accordance with DIN EN 17186

Commercial data

Item number	1247578
Packing unit	1 pc
Minimum order quantity	1 pc
Sales key	XWBAEC
Product key	XWBAEC
GTIN	4063151350321
Weight per piece (including packing)	2.148 kg
Weight per piece (excluding packing)	2.148 kg
Customs tariff number	85444290
Country of origin	PL

EV-T2G3PC-3AC20A-5,0M2,5ESYE11 - AC charging cable



1247578

<https://www.phoenixcontact.com/pl/produkty/1247578>

Technical data

Product properties

Product type	AC charging cable
Product family	CHARX connect comfort
Application	for charging electric vehicles (EV) with alternating current (AC) via type 2 vehicle charging inlets compatible with type 2 infrastructure charging sockets at charging stations for electromobility (EVSE)
Type	Mobile AC charging cable with vehicle charging connector and infrastructure charging plug
Design	with protective cap
Affixed logo	PHOENIX CONTACT logo
Charging mode	Mode 3, Case B
Charging standard	Type 2

Electrical properties

Type of signal transmission	Pulse width modulation
Note on the connection method	Crimp connection, cannot be disconnected
Coding	680 Ω (between PE and PP)
Type of charging current	AC 3-phase
Charging power	16.63 kW
Charging current	20 A

Power contact

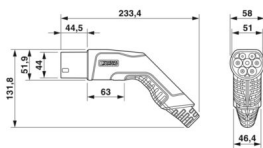
Number	5 (L1, L2, L3, N, PE)
Rated voltage	480 V AC
Rated current	20 A

Signal contact

Number	2 (CP, PP)
Rated voltage	30 V AC
Rated current	2 A

Dimensions

Infrastructure charging plug

Dimensional drawing	 Infrastructure plug
Width	58 mm

EV-T2G3PC-3AC20A-5,0M2,5ESYE11 - AC charging cable

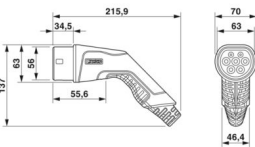


1247578

<https://www.phoenixcontact.com/pl/produkty/1247578>

Height	131.8 mm
Depth	233.4 mm

Vehicle charging connector

Dimensional drawing	 <p>Vehicle connector</p>
Width	70 mm
Height	137 mm
Depth	215.9 mm

Material specifications

Color (Housing)	black (9005)
Color (Handle area)	black (9005)
Color (Mating face)	black (9005)
Color (Protective cap)	black (9005)
Color (Cable)	yellow (1018)
Material (Vehicle charging connector)	Plastic
Material (Cable outer sheath)	TPE-U
Material (Infrastructure charging plug)	Plastic
Material (Contact surface)	Silver

Cable/line

Cable length	5 m
Wiring standards/regulations	prEN 50620/DIN EN 50620
Wiring certifications	VDE
Cable weight	max. 238.00 kg/km
Cable type	Class 5
Cable type	straight
Cable structure	5 x 2.5 mm ² + 1 x 0.5 mm ²
External cable diameter	12.80 mm ±0.4 mm
Outer sheath, material	TPE-U
Cable resistance	≤ 0.00798 Ω/m (based on a power core, at an ambient temperature of 20°C)
Bending radius	min. 192 mm (15x diameter)

Mechanical properties

Mechanical data

Insertion/withdrawal cycles	> 10000
Insertion force	< 100 N
Withdrawal force	< 100 N

EV-T2G3PC-3AC20A-5,0M2,5ESYE11 - AC charging cable



1247578

<https://www.phoenixcontact.com/pl/produkty/1247578>

Environmental and real-life conditions

Ambient conditions

Degree of protection (Vehicle charging connector)	IP44 (plugged in; when plugged in and ready to operate, the degree of protection is only ensued if both plug-in components are original products from Phoenix Contact or suitable standard-compliant products)
Degree of protection (Infrastructure charging plug)	IP44 (plugged in; when plugged in and ready to operate, the degree of protection is only ensued if both plug-in components are original products from Phoenix Contact or suitable standard-compliant products)
Degree of protection (Protective cap)	IP54
Ambient temperature (operation)	-40 °C ... 50 °C
Ambient temperature (storage/transport)	-40 °C ... 80 °C
Altitude	5000 m (above sea level)

Standards and regulations

Standards

Standards/regulations	IEC 62196-2
-----------------------	-------------

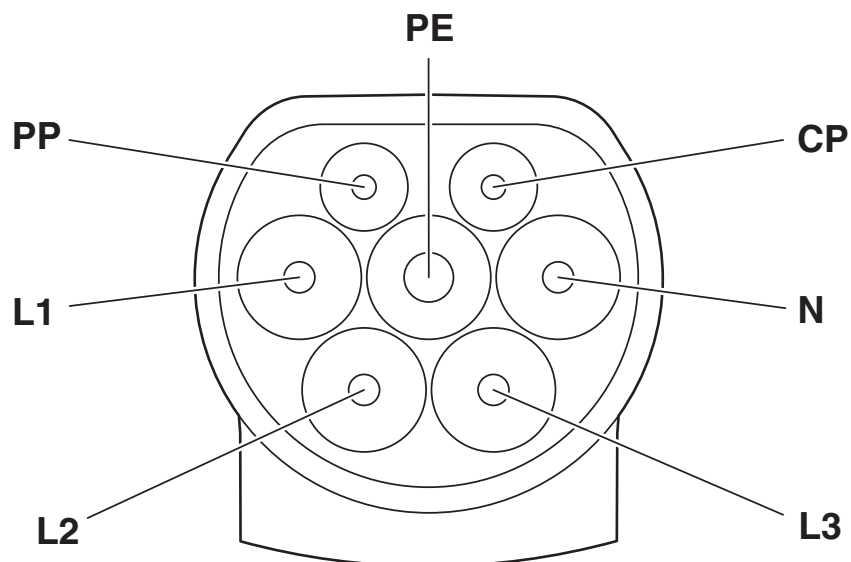
EV-T2G3PC-3AC20A-5,0M2,5ESYE11 - AC charging cable

1247578

<https://www.phoenixcontact.com/pl/produkty/1247578>

Drawings

Connection diagram



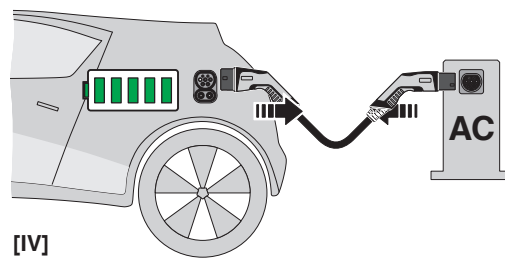
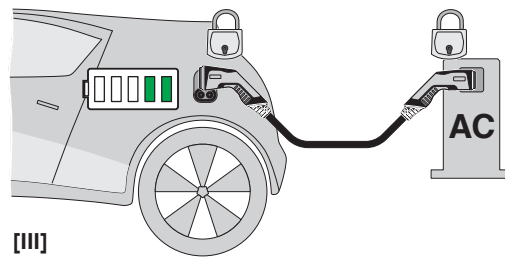
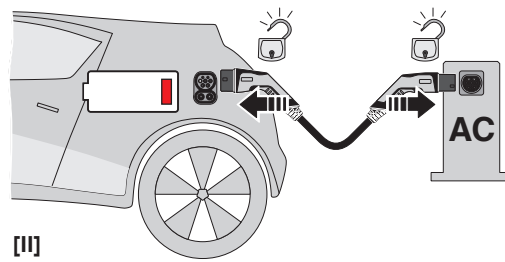
Pin assignment of Infrastructure Plug

EV-T2G3PC-3AC20A-5,0M2,5ESYE11 - AC charging cable

1247578

<https://www.phoenixcontact.com/pl/produkty/1247578>

Schematic diagram



Operating instructions

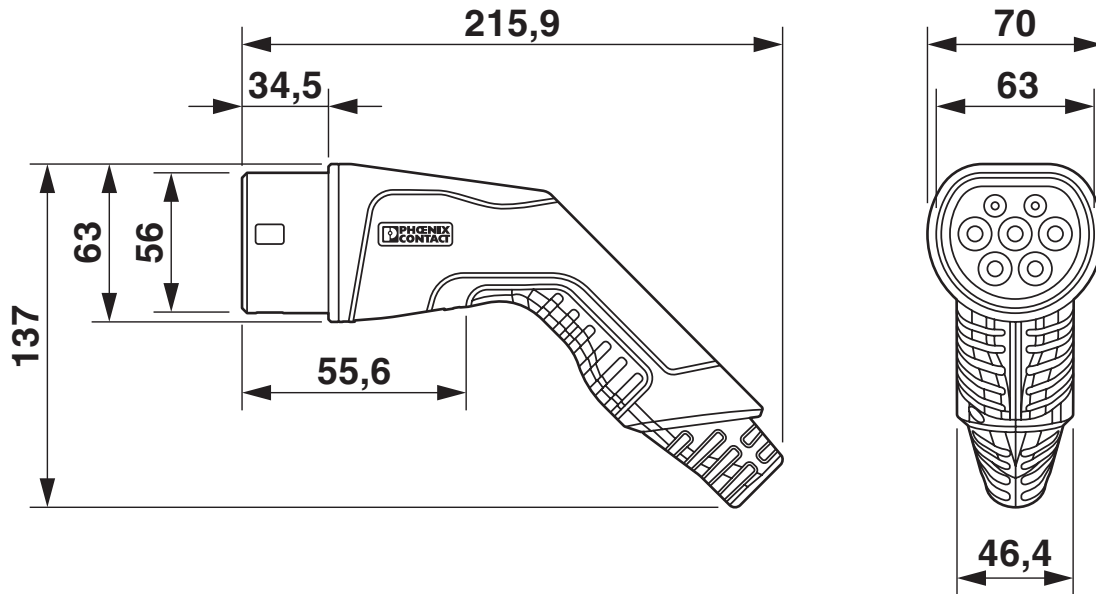
EV-T2G3PC-3AC20A-5,0M2,5ESYE11 - AC charging cable



1247578

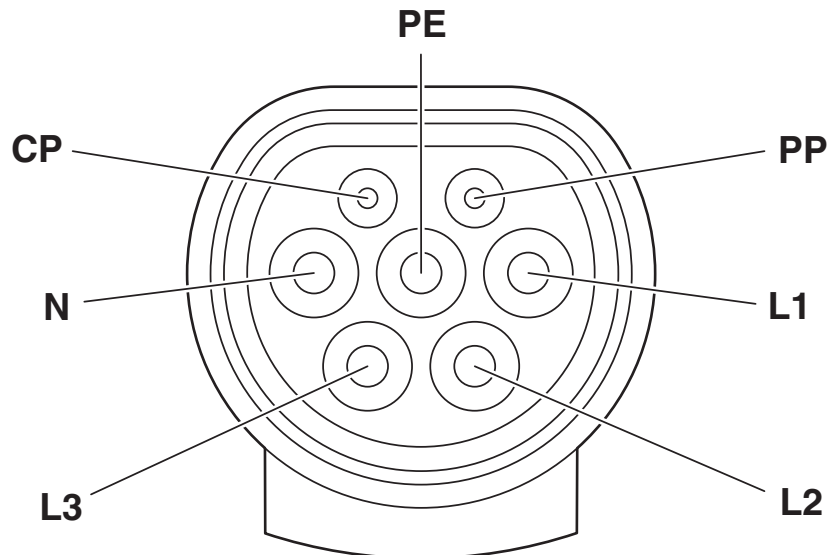
<https://www.phoenixcontact.com/pl/produkty/1247578>

Dimensional drawing



Vehicle connector

Schematic diagram



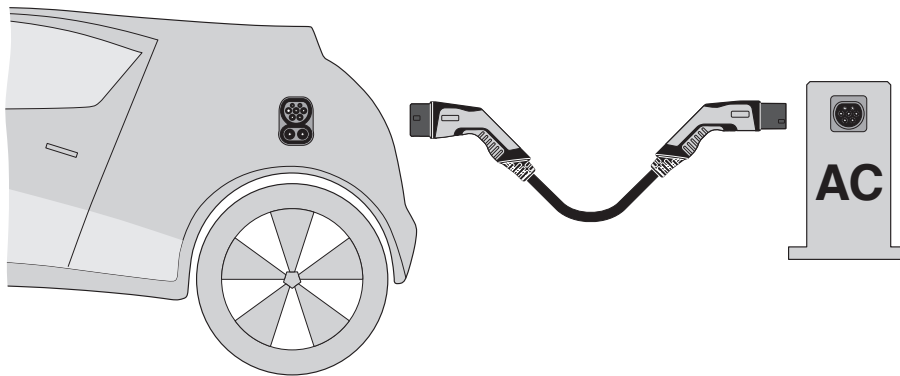
Pin assignment of the Vehicle Connector

EV-T2G3PC-3AC20A-5,0M2,5ESYE11 - AC charging cable

1247578

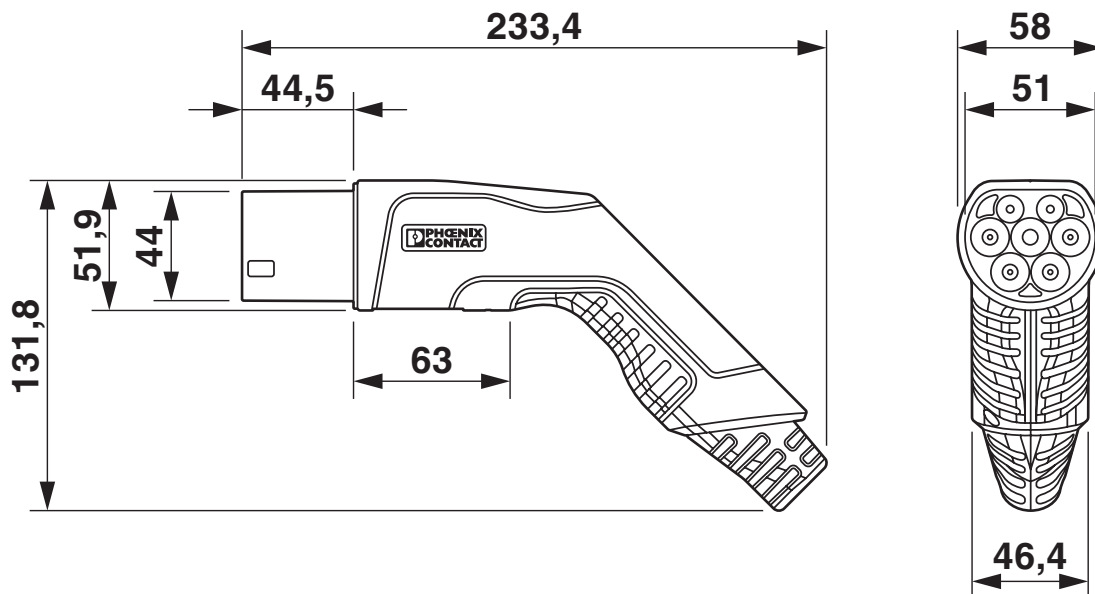
<https://www.phoenixcontact.com/pl/produkty/1247578>

Schematic diagram



Terminology definition

Dimensional drawing



Infrastructure plug

EV-T2G3PC-3AC20A-5,0M2,5ESYE11 - AC charging cable





1247578

<https://www.phoenixcontact.com/pl/produkty/1247578>

Approvals

To download certificates, visit the product detail page: <https://www.phoenixcontact.com/pl/produkty/1247578>

 IECEE CB Scheme Approval ID: DE1-65890				
	Nominal voltage U_N	Nominal current I_N	Cross section AWG	Cross section mm^2
	480 V	20 A	-	-

 VDE Zeichengenehmigung Approval ID: 40045394				
	Nominal voltage U_N	Nominal current I_N	Cross section AWG	Cross section mm^2
	480 V	20 A	-	-

EV-T2G3PC-3AC20A-5,0M2,5ESYE11 - AC charging cable



1247578

<https://www.phoenixcontact.com/pl/produkty/1247578>

Classifications

ECLASS

ECLASS-11.0	27144705
ECLASS-12.0	27144705
ECLASS-13.0	27144705

ETIM

ETIM 9.0	EC002897
----------	----------

UNSPSC

UNSPSC 21.0	39121500
-------------	----------

EV-T2G3PC-3AC20A-5,0M2,5ESYE11 - AC charging cable



1247578

<https://www.phoenixcontact.com/pl/produkty/1247578>

Environmental product compliance

REACH SVHC	Lead 7439-92-1
China RoHS	Environmentally Friendly Use Period = 10;
	For information on hazardous substances, refer to the manufacturer's declaration available under "Downloads"

Phoenix Contact 2024 © - all rights reserved

<https://www.phoenixcontact.com>

PHOENIX CONTACT Sp. z o.o.
ul. Bierutowska 57-59, Budynek nr 3/A
51-317 Wrocław
71/ 39 80 410
pxcpl@phoenixcontact.pl